

HEAVY FS54 8X4.

AMT / AIR SUSP. / LWB

GVM

30,800KG

GCM

53,000KG

Power/Torque

455HP/2,200NM

Heavy rigid licence required.



5
YEAR WARRANTY

40,000KM SERVICE INTERVALS
LOAD SHARING FRONT SUSPENSION

fuso.com.au

FUSO

SPECIFICATIONS

MODEL

A 8X4 FS54 455Hp Air Susp. LWB 12 Sp. AMT (FS54SS5VFAA)

WHEEL BASE

5870mm

GVM (optional)

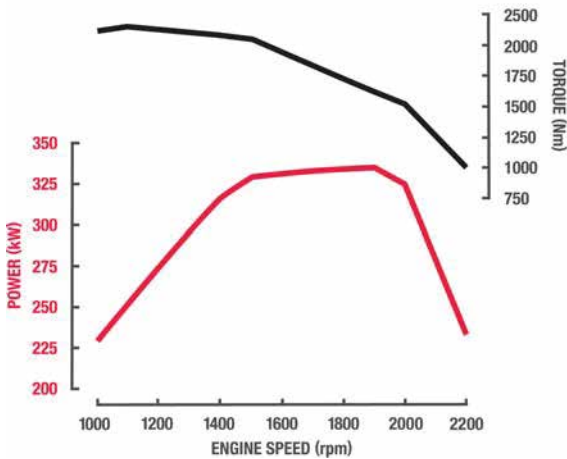
30,800kg

GCM (optional)

53,000kg

ENGINE

Engine Version	FUSO OM457-T5 Diesel
Configuration	6 Cyl. In-line OHV
Type	Waste-gate Turbocharged with Air to Air Intercooled
Displacement	12 litre (11967cc)
Bore	128mm
Stroke	155mm
Power (DIN)	335kW @ 1900 rpm
Torque (DIN)	2200Nm @ 1100 rpm
Maximum Engine Speed	2100 rpm
Cooling System / Oil Cooler	Water cooled, 32.0L capacity/ Plate type engine oil cooler
Air Cleaner	Paper Element Type with Restrictor Indicator. Vertical Intake Mounted on Clean Air Side (RH)
Emission Control	Selective Catalytic Reduction (SCR)
Emission Level	ADR 80/03 - Euro 5



FUEL

Injection System	Electronically Controlled Unit Pump Injection
Tank Type	Rectangular Steel Tank with Locking Cap
Fuel Capacity *	400 Litres
Filtration	Filter with Water Separator and Dash Indicator
AdBlue Exhaust Fluid Capacity	40 Litres, Tank fitted with locking AdBlue cap
Speed Limiter	Speed Limited 100km/h
Notes	*Max Fill to approx 95% of Air Capacity

COOLING

Fan Drive	Thermo modulated continuous control (Viscous)
Radiator	Corrugated Fin with Expansion Tank

ELECTRICAL

Voltage	24V Negative Ground
Alternator Capacity	24V-80 amp
Starter Capacity	24V-7.0kW
Battery Capacity	2x12V, 150Ah/20hr
Battery Specification	2x145G51 (N150)
Headlamp Type	Halogen
Headlamp Capacity	Low beam 2x70W High beam 2x70W
Fog Light	Halogen

CLUTCH

Clutch Model	FUSO C12W43P
Type	Single Plate
Operation/Specification	Automated Manual (no clutch pedal)

TRANSMISSION

Version	FUSO Automated Manual G230-12 (INOMAT-II)
Type/Speeds	12 Speed Automated Manual with Auto and Manual Modes
Features	Crawler Mode Skip Shift Function for Light Loads ECO Mode to Minimise Fuel Usage
Ratios	1st: 11.672 2nd: 9.101 3rd: 7.055 4th: 5.501 5th: 4.400 6th: 3.430 7th: 2.652 8th: 2.068 9th: 1.603 10th: 1.250 11th: 1.000 12th: 0.779 RHigh: 9.101 RLow: 11.673 Torque limited to 1775Nm from 1st to 3rd and Reverse
PTO Opening	LH Side and Rear of XMSM

PROPELLER SHAFT

Type	Two Main Shafts GW5E2200 Inter-axle Shaft P12
------	--

FRONT AXLE

Axle Version	FUSO F090T
Type	Reverse Elliot 'I' Beam
Capacity *	15000kg total
Notes	*See MAX LOADING for vehicle capacity.

FRONT SUSPENSION

Type	Long Taper Leaf (Load Sharing) with Double Acting Shock Absorbers
Size	1500x90mm Leaves

REAR AXLE

Type	Full Floating Hypoid Type Tandem Drive with Inter-Axle Diff Lock
Axle Version	FUSO R10TT/10T, D10HT/10H
Capacity*	21600kg
Ratio	4.625:1
Notes	*See MAX LOADING for vehicle capacities

REAR SUSPENSION

Type	Air Suspension
Details	Long Leaf Taper, 6 Rod Trunnion
Air Spring	2x250mm dia
Road Friendly Certification Number	RF2011
Capacity at Ground *	21600kg total*
Notes	*See MAX LOADING for vehicle capacities

MAX LOADING

Front	13000kg
Rear	21600kg
Total	30800kg

STEERING

Type	Integral Ball and Nut
Steering Column	Tilt/Telescopic Adjustable

SPECIFICATIONS

MODEL

A 8X4 FS54 455Hp Air Susp. LWB 12 Sp. AMT (FS54SS5VFAA)

WHEEL BASE

5870mm

GVM (optional)

30,800kg

GCM (optional)

53,000kg

BRAKES

Type	Full Air, Dual Circuit with FUSO Taper Rollers, ABS plus ASR (Anti Slip Regulator)
Size Front	410x150mm
Size Rear	410x200mm
Park Brake	Rear Wheel Spring Actuated
Engine	Constant Throttle Brake 4 Levels of Retardation
Trailer	Hand Control Valve, Air Lines Coupling and Electrical Cable

WHEELS & TYRES

Wheel Type	13, Single Piece Alloy Disc (Including Spare)
Wheel Size	22.5x8.25DC
Wheel Stud Pattern	10x335mm PCD
Tyre Size Front	295/80R22.5 152/148
Tyre Size Rear	11R22.5 148/145
Tyre Size Spare	295/80R22.5 152/148
Spare Tyre Carrier	Provided

CHASSIS

Type	Reinforced Parallel Channel
Size	300x90x7.0mm
Width	840mm
Tensile Strength	540Mpa

INSTRUMENTS

Gauges	Speedometer with Odometer Tachometer Air Pressure (2) Fuel Level Water Temperature AdBlue Level
Colour Information Display	Fuel Consumption Service Indicators Hour Meter and Tripmeter Oil Level Check
Warning Lamps	ABS ASR Turn Signal High Beam Engine Brake & Shift Down Brake Fog Lamp All Major System Faults Oil Level Ad Blue Low Alternator Differential Lock Cruise Control Cab Tilt Lock
Warning Lamp/Buzzer	Air Pressure Oil Pressure Hill Start Park Brake Engine Overrun Engine Overheat / Low Coolant Level

MULTI-MEDIA PACKAGE

Satellite Navigation	Maps with heavy vehicle weight, length, height & hazardous material selectable restrictions with 3 years of Map updates
Colour Display	6.1 inch LCD with touch screen control
Phone Connectivity	Bluetooth® hands free
Audio Visual Entertainment	CD/DVD player Digital radio DAB+ (also AM/FM for areas not covered by DAB+) USB port for iPod® * & other devices
Reversing Camera Compatible	Display can accept up to 3 cameras#
Notes	* iPod® compatibility requires an additional licenced cable # Cameras available through spare parts

STANDARD FEATURES

Airbag(s)	Driver's Air Bag and Seat Belt Pre-tensioners
Hill Start System	Yes
Cab Cooling & Heating	Climate Control
Accessory Power	24V Accessory Power Outlet / Cigar Lighter
Driving	Suspended Driver's Seat Central Locking Electric Windows Cruise Control (range 40 to 100km/h) LH Transom Window Opening Rear Quarter Glass Cup Holder Fluorescent Cabin Lamp Trailer Package including Trailer "Stretch Brake"
Storage	Centre Storage Console Dash Storage Tray 2 DIN Driver's Overhead Storage Coat Hooks
Cab: External	Fog Lights Door Side Impact Beams Roof Mounting Points (max. static load 70kg) Front End-Outline Marker Lamps
Chassis	Integrated Front Underrun System (FUPS) Reverse Warning Buzzer Clear Top of Chassis Rail for ease of Body Fitment

CAB FEATURES

Type	All Steel Forward Control Electric / Hydraulic Tilt Cab
Mounting	Air Suspended Front and Rear
Colour	Natural White
Windscreen Wipers	2 Speed + Intermittent Cycle with Integrated Washer Nozzles
Rear Vision Mirrors	2 x External Flat Main Mirrors Plus Convex Spotters Motorised Main Mirrors, All Mirrors Heated
Seating Capacity	3
Seat Belts	Lap Sash Belts for Outside Seating Positions Lap Belt for Centre Seat
Seat (driver)	Suspended (ISRI)
Seats (passenger)	Single Fixed
Sleeping	ADR42/04 Approved Sleeping Berth

SERVICE INTERVALS

Interval*	40,000km, 12 Months or 800 Hours (whichever occurs first)
Notes	* based on normal operating conditions and may be reduced when operating under severe conditions.

WARRANTY

Basic/Powertrain	5 Years, 500,000km or 10,000 operating hours (whichever occurs first)
Cab Perforation/Anti Corrosion	3 Years

PERFORMANCE

Turning Circle (kerb to kerb - metres)	21.6
Electronically Speed Limited to:	100km/hr Conforms to ADR65/..
Engine Speed (rpm) at 100km/hr (top gear)	1891
Gradeability at Rated GCM (theoretical)*	23%
Notes	*This is theoretical performance only. Actual performance may vary under different conditions

MASS (ESTIMATED)*

Front*	5660kg
Rear*	2945kg
Total*	8665kg
Notes	* Mass (est.) includes oil and water but excludes spare wheel, tools & fuel. Weights provided are subject to 3.5% variation (+/-)

SPECIFICATIONS

MODEL

A 8X4 FS54 455Hp Air Susp. LWB 12 Sp. AMT (FS54SS5VFAA)

WHEEL BASE

5870mm

GVM (optional)

30,800kg

GCM (optional)

53,000kg

DIMENSIONS (MM)

Width Front Fender (mm)	2490
Width Rear Axle (mm)	2470
Width Front Track (mm)	2075
Width Rear Track (mm)	1850
Width Frame (mm)	840
A - Length Overall (mm)	10140
B - Extreme Axle Spacing (mm)	6530
C - Front Overhang (mm)	1370
D - Wheelbase (mm)	5870
F - Rear Axle Spacing (mm)	1320
G - Front Axle to Rear of Cab 700 (mm)	
H - Rear of Cab to Rearmost Item Behind Cab (mm)	183
I - Rearmost Item Behind Cab 4987 to Rear Axle (mm)	
J - Frame, Rear Axle to End (mm)	2240
N - Height Overall (mm)	3329
O - Air Intake to Cab Roof (mm)	205
P - Height Cab to Ground (mm)	3124
Q - Height Cab to Frame (mm)	2090
R - Height Rear Frame to Ground (mm)	1058

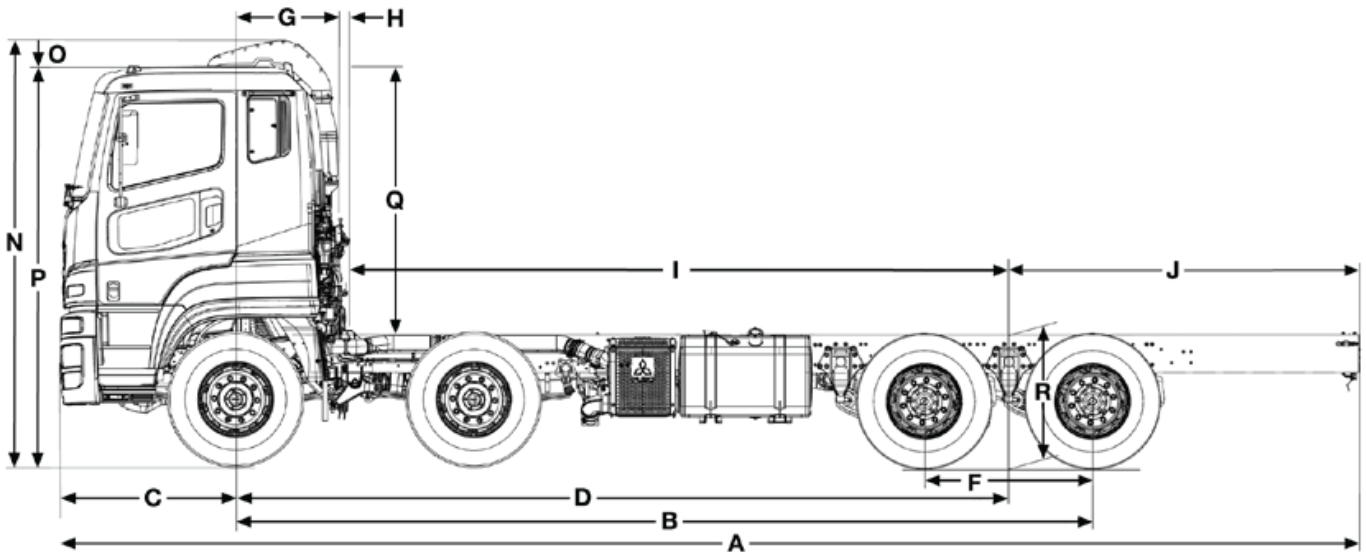
BODY BUILDER'S NOTES

Notes

Chassis reinforcement must be utilised for Tipper/Demountable type body configurations. To conform with ADR 13/00 (lighting requirements) the following must be adhered to at body installation.

- If other than a flat type or tipper body is fitted, rear end out-line marker lamps must be installed.
- If overall length exceeds 6.0 metres, side reflectors must be installed.
- If overall length exceeds 7.5 metres, side marker lamps must be installed.

To conform with ADR 42/04 (General Safety), rear wheel guards must be fitted to the vehicle.



CALL 1300 429 134

or visit fuso.com.au

FUSO

Unless specified in writing herein the accessories, applications, bodies or equipment depicted in this document are for illustration purposes only and may not be available from Daimler Truck and Bus Australia Pacific Pty Ltd (ABN 86 618 413 282) ("DTB"). No representation or warranty whatsoever is given in relation to any accessories, applications, bodies or equipment or suitability of same that are shown herein that may be manufactured, supplied or fitted by a party other than DTB. DTB reserves the right without notice or obligation to discontinue or make changes to the colour, designs, materials and specifications of the products and options referred to herein at anytime. For the most current information and in order to ascertain which accessories, applications, bodies and equipment are available from DTB please contact your authorised FUSO Truck and Bus dealer. Fuso is a registered trademark of Daimler Truck and Bus Australia Pacific Pty Ltd. Copyright © DTB. Reproduction in whole or part prohibited without written approval. Part Number TSH60A-SSV2. Valid From 01-Oct-17.