

FUSO SHOGUN

Shogun FS76 8x4 360

7.7L/AMT/ Air Susp./ LWB - XXLWB



OUR SAFEST SHOGUN YET. THIS LATEST SHOGUN COMES EQUIPPED WITH ABA5, PD, LDWS, ESP, AAA, ASGA, IHC AND DRL. ALL BACKED BY OUR CLASS LEADING SERVICE INTERVALS AND 5 YEAR WARRANTY.

GVM

30,000 KG

GCM

45,000 KG

POWER/TORQUE

260_{KW} / 1400_{NM}

- Heavy rigid licence required
- Actual vehicle may differ from above image

SHOGUN SPECIFICATIONS

MODEL

| | |
|---|---|
| A | 8X4 FS76 360HP AIR SUSP. LWB 12 SP. AMT FS76GS1VFAA |
| B | 8X4 FS76 360HP AIR SUSP. XXLWB 12 SP. AMT FS76GV1VFAA |

WHEEL BASE

| |
|--------|
| 5870mm |
| 6720mm |

GVM

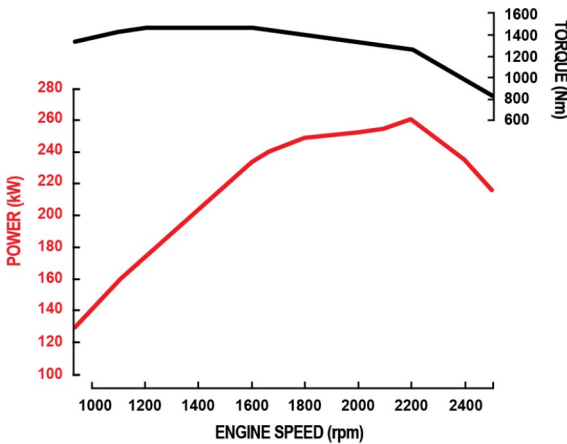
| |
|----------|
| 30,000kg |
| 30,000kg |

GCM

| |
|----------|
| 45,000kg |
| 45,000kg |

Engine

| | |
|----------------------|--|
| Engine Version | FUSO 6S10-T1 Diesel |
| Configuration | 6 Cyl. In-line OHC, 4-Valve |
| Injection System | Common Rail Direct Injection with Pressure Booster |
| Type | Twin Turbocharger |
| Displacement | 7.7 litre (7697cc) |
| Bore | 110mm |
| Stroke | 135mm |
| Power (DIN) | 260kW @ 2200 rpm |
| Torque (DIN) | 1400 Nm @ 1200-1600 rpm |
| Maximum Engine Speed | 2500 rpm |
| Air Cleaner | Paper Element Type with Restrictor Indicator. Vertical Intake Mounted on Clean Air Side (RH) |
| Emission Control | Diesel Particulate Filter (DPF) plus SCR After-Treatment System |
| Emission Level | ADR 80/03 - post-Post New Long Term pPNLT Euro VI equivalent |



Fuel

| | |
|-------------------------------|--|
| Tank Type | Rectangular Aluminium Tank with Locking Cap |
| Fuel Capacity * | 400 Litres |
| Filtration | Filter with Water Separator and Dash Indicator |
| AdBlue Exhaust Fluid Capacity | 60 Litres, Tank fitted with locking AdBlue cap |
| Notes | *Max Fill to approx 95% of capacity |

Cooling

| | |
|-----------|-------------------------------------|
| Fan Drive | Electronically controlled (Viscous) |
| Radiator | Corrugated Fin with Expansion Tank |

Electrical

| | |
|-----------------------|---|
| Voltage | 24V Negative Ground |
| Battery Capacity | 2x12V, 120Ah / 20 hr |
| Battery Specification | 115F51 x2 |
| Headlamp Type | Automatic Type Low Beam: LED High Beam: Halogen |
| Fog Light | Halogen |
| Daytime Running Lamps | LED |

Clutch

| | |
|-------------------------|------------------------------------|
| Clutch Model | FUSO K4/430 |
| Type | Single Dry Plate |
| Operation/Specification | Automated Manual (no clutch pedal) |

Transmission

| | |
|-------------|--|
| Version | FUSO Automated Manual G211-12 |
| Type/Speeds | 12 Speed Automated Manual with Auto, Economy and Manual Modes |
| Ratios | 1st: 14.929 2nd: 11.672 3rd: 9.024 4th: 7.055 5th: 5.627 6th: 4.400 7th: 3.393 8th: 2.652 9th: 2.050 10th: 1.603 11th: 1.278 12th: 1.000 RevHigh: 11.672 RevLow: 14.929 |
| PTO Opening | Side PTO |

Propeller Shaft

| | |
|------|--|
| Type | Two Main Shafts GW5E2200 Inter-axle Shaft P12 |
|------|--|

Front Axle

| | |
|--------------|--|
| Axle Version | FUSO F900T |
| Type | Reverse Elliot 'I' Beam |
| Capacity * | 14200kg total |
| Notes | *See MAX LOADING for vehicle capacity. |

Front Suspension

| | |
|------|---|
| Type | Long Taper Leaf with Double Acting Shock Absorbers Load Share Front Suspension |
| Size | 1500x90mm Leaves |

Rear Axle

| | |
|--------------|---|
| Type | Full Floating Hypoid Type Tandem Drive with differential cross locks between front & rear tandem axles Optional-Limited Slip Differential LSD on both axles. |
| Axle Version | FUSO R10TT/R10T |
| Capacity* | 21600kg |
| Ratio | A - Standard 3.818 B 3.818:1 - Optional 4.222 |
| Notes | *See MAX LOADING for vehicle capacity. |

Rear Suspension

| | |
|------------------------------------|---|
| Type | Two Bag Air Suspension |
| Details | Trailing Arm with Double Acting Shock Absorber and ECAS with 2 Memory Positions |
| Road Friendly Certification Number | RF2011 |

Max Loading

| | |
|-------|---------|
| Front | 13000kg |
| Rear | 21600kg |
| Total | 30000kg |

SHOGUN SPECIFICATIONS

MODEL

| | |
|---|---|
| A | 8X4 FS76 360HP AIR SUSP. LWB 12 SP. AMT FS76GS1VFAA |
| B | 8X4 FS76 360HP AIR SUSP. XXLWB 12 SP. AMT FS76GV1VFAA |

WHEEL BASE

| |
|--------|
| 5870mm |
| 6720mm |

GVM

| |
|----------|
| 30,000kg |
| 30,000kg |

GCM

| |
|----------|
| 45,000kg |
| 45,000kg |

Options

| | | |
|---------|-------------------------|--------------|
| Options | A | B |
| | Q35: | Q35 - No LSD |
| | - rear axle ratio 3.818 | Q36 - LSD |
| | - no LSD | |
| | Q36 | |
| | - rear axle ratio 3.818 | |
| | - LSD | |
| | Q37 | |
| | - rear axle ratio 4.222 | |
| | - no LSD | |
| | Q38 | |
| | - rear axle ratio 4.222 | |
| | - LSD | |

Steering

| | |
|-------------------------------|--|
| Type | Integral Ball and Nut |
| Steering Column | Tilt/Telescopic Adjustable |
| Power Assist | 8x4 Power Assist Cylinder |
| Wheel cut angle - Inner/Outer | 1st axle 45°/37° 2nd axle 28°/23° |

Brakes

| | |
|------------|--|
| Type | Full Air, Dual Circuit with FUSO Taper Rollers |
| Size Front | 410x150mm |
| Size Rear | 410x200mm |
| Features | Brake Priority System |
| Park Brake | Rear Wheel Spring Actuated |
| Engine | Engine Brake 3 Levels of Retardation |
| Trailer | Hand Control Valve, Air Lines Coupling and Electrical Cable |

Wheels & Tyres

| | |
|--------------------|---|
| Wheel Type | Single Piece Aluminium Disc Including Spare |
| Wheel Size | 22.5x8.25 |
| Wheel Stud Pattern | 10x335mm PCD |
| Tyre Brand | Bridgestone |
| Tyre Size Front | 295/80R22.5 152/148 |
| Tyre Size Rear | 11R22.5 148/145 |
| Tyre Size Spare | 295/80R22.5 152/148 |
| Spare Tyre Carrier | Provided |
| Spare Tyre | Provided |

Chassis

| | |
|------------------|-----------------------------|
| Type | Reinforced Parallel Channel |
| Size | 300x90x7.0 mm |
| Width | 840 mm |
| Tensile Strength | 540 MPa |

Instruments

| | |
|----------------------------|--|
| Gauges | Speedometer Tachometer Fuel Level Air Pressure AdBlue Level |
| Colour Information Display | Odometer Tripmeter (x2) Hour Meter (x2) Outside Temperature AdBlue Level DPF Information Driving Range (Fuel and AdBlue) Current Vehicle Speed Cruise Control Lane Departure Warning Active Attention Assist Warning Alarm Clock Service Indicator & Reminder System Air Pressure Coolant Temperature Engine Oil Level & Running Time |
| Warning Lamps | ABS ASR ESP ESP Off Turn Signal Headlamps High Beam Hill Holder Auxiliary Brake Parking Brake Engine Over-speed Air Pressure Low Cab Tilt Lock DPF Regeneration DPF Status AdBlue Empty AdBlue Contamination Active Brake Assist |
| Warning Lamp/Buzzer | Air Pressure Cab Tilt Engine Over-speed AdBlue Empty AdBlue Contamination |

Multi-Media Package

| | |
|----------------------------|---|
| Satellite Navigation | GPS navigation specifically designed for commercial vehicle applications, with 3 years of Map updates included. |
| Colour Display | 7 inch LCD with touch screen control |
| Phone Connectivity | Bluetooth® hands free |
| Audio Visual Entertainment | Bluetooth® music streaming compatible Digital radio DAB+ (also AM/FM for areas not covered by DAB+) & USB |
| Camera Compatibility | Reverse camera (Factory Fitted) + 5 additional camera options # |
| Notes | # Cameras available through spare parts |

SHOGUN SPECIFICATIONS

MODEL

| | |
|---|---|
| A | 8X4 FS76 360HP AIR SUSP. LWB 12 SP. AMT FS76GS1VFAA |
| B | 8X4 FS76 360HP AIR SUSP. XXLWB 12 SP. AMT FS76GV1VFAA |

WHEEL BASE

| |
|--------|
| 5870mm |
| 6720mm |

GVM

| |
|----------|
| 30,000kg |
| 30,000kg |

GCM

| |
|----------|
| 45,000kg |
| 45,000kg |

Standard Features

| | |
|-----------------------|---|
| Cruise Control | Adaptive with Stop and Go |
| Hill Start System | Yes |
| Cab Cooling & Heating | Climate Control |
| Accessory Power | 24V Accessory Power Outlet (x2) plus Cigar Lighter |
| Driving | Suspended Driver's Seat Central Locking Electric Windows LH Transom Window Opening Rear Quarter Glass Cup Holder Fluorescent Cabin Lamp |
| Storage | Centre Storage Compartments (x3 Total, Lockable x1) Driver's Overhead Storage Door Storage Pockets Coat Hooks |
| Cab: External | Fog Lights Door Side Impact Beams Roof Mounting Points max. static load 70kg Front End-Outline Marker Lamps External PTO controls |
| Chassis | Integrated Front Underrun System (FUPS) Reverse Warning Buzzer Clear Top of Chassis Rail for ease of Body Fitment |

Active Safety

| | |
|-----------------|---|
| Safety Systems | ABA5 - Active Brake Assist 5 ASGA - Active Sideguard Assist PD - Pedestrian Detection AAA - Active Attention Assist PCA - Proximity Control Assist Cruise Control LDWS - Lane Departure Warning System ESP - Electronic Stability Program ABS - Anti-lock Braking System ASR - Anti Slip Regulator LED Headlamps DRL - Daytime Running Lamps IHC - Intelligent Headlight Control |
| Reverse Warning | Wide Dynamic Range Camera and Buzzer |
| Notes | Active Safety Systems primary function is to provide driver assistance to increase road safety in events of driver inattentiveness. These systems do not allow for lack of attention whilst driving and should not replace safe and alert driving. |

Passive Safety

| | |
|--|---|
| Airbags | SRS Airbag - Driver |
| Body Strength | ECE-R29 Cab Strength Compliant |
| Seat Belts - Driver & Driver Assistant | 3 Point ELR Lap Sash, Driver Pre-Tensioner. |

Service Intervals

| | |
|-----------|--|
| Interval* | 50,000km or 12 Months (whichever occurs first) |
|-----------|--|

Warranty*

| | |
|------------------|---|
| Basic/Powertrain | 5 Years or 500,000kms (whichever occurs first) |
| Notes | * Please refer to Fuso Owners Warranty Booklet for additional terms and conditions. |

Performance

| | |
|---|---|
| Turning Circle (kerb to kerb - metres) | 21.6 |
| Electronically Speed Limited to: | 100km/hr Conforms to ADR65/00 |
| Engine Speed (rpm) at 100km/hr (top gear) | A 2080 rpm with RAR 3.818 B 2080 rpm with RAR 4.222 |
| Gradeability at Rated GVM (theoretical)* | A 34% with RAR 3.818 B 38% with RAR 4.222 |
| Gradeability at Rated GCM (theoretical)* | A 21.5% with RAR 3.818 B 24% with RAR 4.222 |
| Notes | *This is theoretical performance only. Actual performance may vary under different conditions |

Mass estimated*

| | |
|--------|---|
| Front* | A 5420kg B 5480kg |
| Rear* | A 3110kg B 3210kg |
| Total* | A 8530kg B 8690kg |
| Notes | * Mass (est.) includes oil and water but excludes spare wheel, tools & fuel. Weights provided are subject to 3.5% variation (+/-) |

Dimensions mm

| | |
|--|--------------------|
| WFF (Width Front Fender) (mm) | 2490 |
| WRA (Width Rear Axle) (mm) | 2475 |
| WFT (Width Front Track) (mm) | 2075 |
| WRT (Width Rear Track) (mm) | 1865 |
| Width Frame (mm) | 840 |
| A - Length Overall (mm) | A 10140 B 11660 |
| B - Extreme Axle Spacing (mm) | A 6530 B 7380 |
| C - Front Overhang (mm) | 1370 |
| D - Wheelbase (mm) | A 5870 B 6720 |
| F - Rear Axle Spacing (mm) | 1320 |
| G - Front Axle to Rear of Cab (mm) | 795 |
| H - Rear of Cab to Rearmost Item Behind Cab (mm) | 83 |
| I - Rearmost Item Behind Cab to Rear Axle (mm) | A 4992 B 6502 |
| J - Frame, Rear Axle to End (mm) | A 2240 B 3570 |
| N - Height Overall (mm) | A 3164 B 3165 |
| O - Air Intake to Cab Roof (mm) | 205 |
| P - Height Cab to Ground (mm) | A 2959 B 2960 |
| Q - Height Cab to Frame (mm) | 1970 |
| R - Height Rear Frame to Ground (mm) | A 1034 B 1033 |

SHOGUN SPECIFICATIONS

| MODEL | WHEEL BASE | GVM | GCM |
|---|------------|----------|----------|
| A 8X4 FS76 360HP AIR SUSP. LWB 12 SP. AMT FS76GS1VFAA | 5870mm | 30,000kg | 45,000kg |
| B 8X4 FS76 360HP AIR SUSP. XXLWB 12 SP. AMT FS76GV1VFAA | 6720mm | 30,000kg | 45,000kg |

Body Builder's Notes

Notes

Chassis reinforcement must be utilised for Tipper/ Demountable type body configurations.

To conform with ADR 13/00 (lighting requirements) the following must be adhered to at body installation.

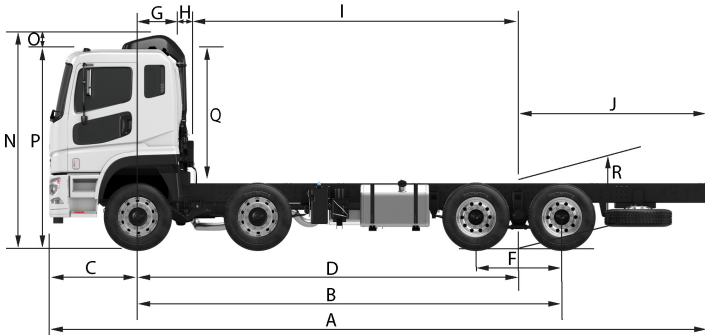
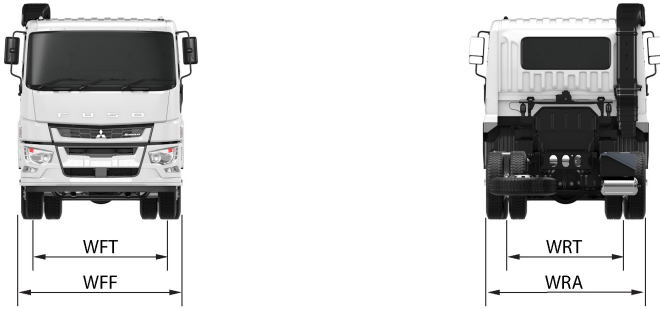
- If other than a flat type or tipper body is fitted, rear end out-line marker lamps must be installed.
- If overall length exceeds 6.0 metres, side reflectors must be installed.
- If overall length exceeds 7.5 metres, side marker lamps must be installed.

To conform with ADR 42/04 (General Safety), rear wheel guards must be fitted to the vehicle.



Call 1800 033 557

or visit fuso.com.au



Unless specified in writing herein the accessories, applications, bodies or equipment depicted in this are for illustration purposes only and may not be available from Daimler Truck Australia Pacific Pty Ltd. ABN 86 618 413 282 DTAuP. No representation or warranty whatsoever is given in relation to any accessories, applications, bodies or equipment or suitability of same that are shown herein that may be manufactured, supplied or fitted by a party other than DTAuP. DTAuP reserves the right without notice or obligation to discontinue or make changes to the colour, designs, materials and specifications of the products and options referred to herein at any time. For the most current information and in order to ascertain which accessories, applications, bodies and equipment are available from DTAuP please contact your authorised FUSO dealer. Fuso is a registered trademark of Daimler Truck Australia Pacific Pty Ltd. Copyright DTAuP. Reproduction in whole or part prohibited without written approval. Valid from 24-Apr-23.